

GMX260 Compact Weather Station

High quality, easy-to-use, integrated weather station for marine applications

MaxiMet compact weather stations are designed to be simple to install, use and maintain. In addition to providing measured parameters, the products derive additional parameters and data is output as a single string and available on a range of communication protocols.

MaxiMet weather stations benefit from the same technology used in Gill's scientific product range, ensuring measurement accuracy, low maintenance and continuous status reporting.

The MaxiMet family includes a range of sensor configurations allowing customers to select the model most appropriate to their needs.

Typical applications for MaxiMet Marine GMX260

- Marine environments including marine buoys and unmanned surface vessels.
- Helidecks.
- Ports and harbours.
- Offshore wind farms.
- Low power/solar powered deployments and IoT applications.

MaxiMet Marine key features

- MaxiMet Marine GMX260 provides 2 measured parameters:
Wind speed & direction, optional GPS function.
- IP68 and IP66 environmental protection.
- 6-axis compass.
- High quality, accurate, solid-state sensors.
- Compact design with robust construction.
- Multiple additional derived parameters such as gust (WMO compliant), average wind speed and corrected direction.
- Optional integrated GPS capability available to provide location, GPS timestamp and calculation of true wind if the platform is moving.
- Commonly available connector suitable for corrosive environment.

Benefits

- Based on the GMX200, highly deployed in harsh marine applications, and now with additional environmental protection including temporary submersion.
- 6-axis compass compensates for tilt and provides pitch & roll data.
- No moving parts increases reliability and reduces maintenance requirements.
- Multiple output protocols offer a range of integration options.
- Easy to set up, integrate and install.
- Suitable for use with battery or solar systems in low power mode.



MaxiMet Marine GMX260 combines IP68 environmental protection with high quality sensors for marine environments



(photo: Xylem DB1250 buoy)
MaxiMet Marine's IP68 rating enhances performance in harsh weather conditions encountered by buoys and unmanned surface vessels

GMX260 Compact Weather Station

High quality, easy-to-use, integrated weather station for marine applications

| WIND SPEED | |
|----------------------|---|
| Range | 0 - 60 m/s |
| Accuracy | 0-10 m/s 0.3 m/s RMSE 10-40 m/s 3% RMSE 40-60 m/s 5% RMSE |
| Resolution | 0.01 m/s |
| Starting threshold | 0.01 m/s |
| Units of measurement | m/s, km/h, mph, kts, ft/min |

| WIND DIRECTION | |
|----------------------|---|
| Range | 0-360° |
| Accuracy | 0.5 m/s - 40 m/s ± 3° 40-60 m/s ± 5° |
| Resolution | 1° |
| Units of measurement | degrees |

| WARRANTY | |
|----------|-----------|
| Warranty | 24 months |

| OUTPUTS | |
|---------------------|--|
| Digital comms modes | RS232, RS422 RS485 SDI-12, NMEA 0183, MODBUS |
| Protocols | ASCII, SDI-12 v1.3, MODBUS (RTU and ASCII) |
| Data outputs rates | 1/s, 1/min, 1/hour, or polled |

| POWER SUPPLY | |
|-----------------------|--|
| Input voltage | 5-30 VDC |
| Current spec @ 12 VDC | 28 mA continuous mode (std unit) +10 mA with GPS option 1.3 mA eco-power mode (no GPS, 1/ hour) |

| MECHANICAL | |
|----------------|------------------------------------|
| Construction | UV stabilized thermoplastic |
| Fittings | Fit to 30 mm to 58 mm pole or mast |
| Weight | 0.5 kg |
| Connector type | M12 8-way |

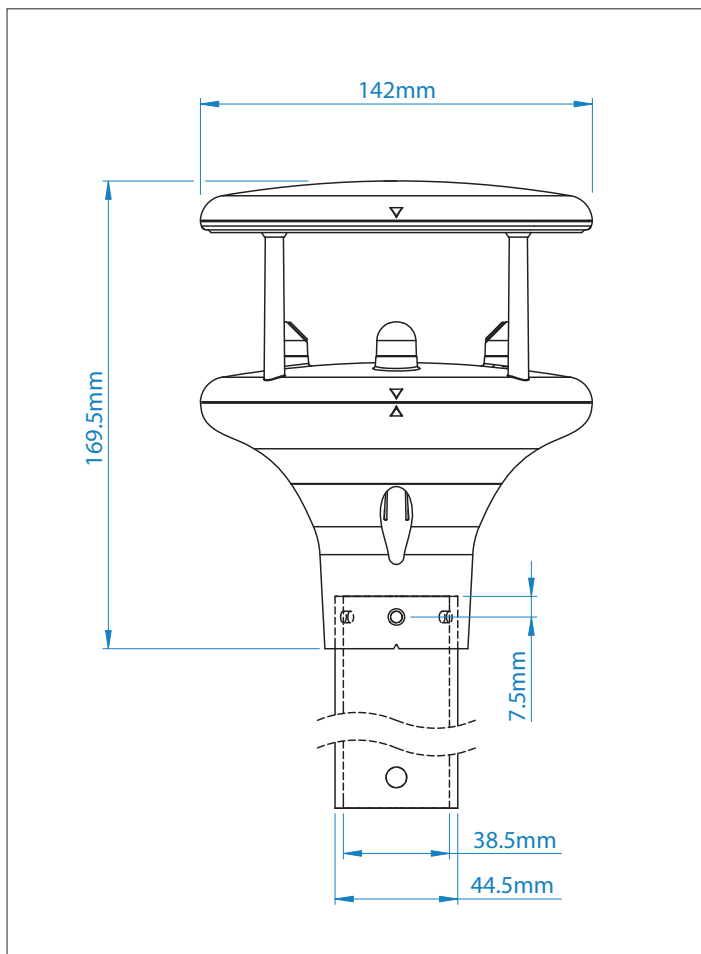
| ENVIRONMENTAL | |
|------------------|----------------|
| Protection class | IP66 & IP68 |
| Operating temp | -35°C to +70°C |
| Storage temp | -40°C to +70°C |

| STANDARD EQUIPMENT (supplied with product) | |
|--|--|
| MaxiMet product | |
| Mating connector | |
| MetSet software*, to set-up and configure MaxiMet (comms mode, measurement units, reporting intervals, derived parameters, etc.) | |
| MetView software*, to view reported parameters | |
| MaxiMet Marine User Manual* | |
| * downloadable from Gill Instruments website | |

| OPTIONS | |
|---------|---|
| GPS | Available as an option. Enables reporting of location, height, real time clock, true wind (for vehicle mounting applications) |

GMX260 Compact Weather Station

High quality, easy-to-use, integrated weather station for marine applications



EXAMPLE DERIVED PARAMETERS FOR MAXIMET RANGE

A full list of derived parameters is available in the User Manual which can be downloaded from gillinstruments.com

| | |
|-------------------------------|-----------------------|
| Average wind speed * | Sunrise |
| Average wind direction * | Solar noon |
| Corrected wind speed | Twilight |
| Corrected wind direction | Sunset |
| Gust wind speed & direction * | Position of sun |
| Dew point | Angle of tilt |
| Wind chill | Pressure at sea level |
| Absolute humidity | Heat index |

* WMO compliant

ACCESSORIES

A list of the accessories available to support MaxiMet is provided on the MaxiMet Accessories Datasheet, which can be downloaded from gillinstruments.com

MaxiMet® Marine Accessories Datasheet

GMX560 Compact Weather Station

Easy-to-use, integrated multi-parameter weather station for marine applications.

MaxiMet Marine weather station is supported by a range of accessories. These accessories can be used to connect, install and manage the MaxiMet Marine. The accessories have been designed, or selected to ensure the long-term performance of MaxiMet Marine.

| Accessories | Part Number |
|---|-------------|
| Power supply for external power cable - 12V DC 1000mA | MA02001 |
| 12V DC Power to external power cable - 12V DC 1000mA | MA02002 |
| 12V DC Power to external power cable - 12V DC 1000mA | MA02003 |
| 12V DC Power to external power cable - 12V DC 1000mA | MA02004 |
| 12V DC Power to external power cable - 12V DC 1000mA | MA02005 |
| 12V DC Power to external power cable - 12V DC 1000mA | MA02006 |
| 12V DC Power to external power cable - 12V DC 1000mA | MA02007 |
| 12V DC Power to external power cable - 12V DC 1000mA | MA02008 |
| 12V DC Power to external power cable - 12V DC 1000mA | MA02009 |
| 12V DC Power to external power cable - 12V DC 1000mA | MA02010 |
| 12V DC Power to external power cable - 12V DC 1000mA | MA02011 |
| 12V DC Power to external power cable - 12V DC 1000mA | MA02012 |
| 12V DC Power to external power cable - 12V DC 1000mA | MA02013 |
| 12V DC Power to external power cable - 12V DC 1000mA | MA02014 |
| 12V DC Power to external power cable - 12V DC 1000mA | MA02015 |
| 12V DC Power to external power cable - 12V DC 1000mA | MA02016 |
| 12V DC Power to external power cable - 12V DC 1000mA | MA02017 |
| 12V DC Power to external power cable - 12V DC 1000mA | MA02018 |
| 12V DC Power to external power cable - 12V DC 1000mA | MA02019 |
| 12V DC Power to external power cable - 12V DC 1000mA | MA02020 |
| 12V DC Power to external power cable - 12V DC 1000mA | MA02021 |
| 12V DC Power to external power cable - 12V DC 1000mA | MA02022 |
| 12V DC Power to external power cable - 12V DC 1000mA | MA02023 |
| 12V DC Power to external power cable - 12V DC 1000mA | MA02024 |
| 12V DC Power to external power cable - 12V DC 1000mA | MA02025 |
| 12V DC Power to external power cable - 12V DC 1000mA | MA02026 |
| 12V DC Power to external power cable - 12V DC 1000mA | MA02027 |
| 12V DC Power to external power cable - 12V DC 1000mA | MA02028 |
| 12V DC Power to external power cable - 12V DC 1000mA | MA02029 |
| 12V DC Power to external power cable - 12V DC 1000mA | MA02030 |
| 12V DC Power to external power cable - 12V DC 1000mA | MA02031 |
| 12V DC Power to external power cable - 12V DC 1000mA | MA02032 |
| 12V DC Power to external power cable - 12V DC 1000mA | MA02033 |
| 12V DC Power to external power cable - 12V DC 1000mA | MA02034 |
| 12V DC Power to external power cable - 12V DC 1000mA | MA02035 |
| 12V DC Power to external power cable - 12V DC 1000mA | MA02036 |
| 12V DC Power to external power cable - 12V DC 1000mA | MA02037 |
| 12V DC Power to external power cable - 12V DC 1000mA | MA02038 |
| 12V DC Power to external power cable - 12V DC 1000mA | MA02039 |
| 12V DC Power to external power cable - 12V DC 1000mA | MA02040 |

Before choosing to connect the accessories, please check the accessories datasheet.

Accessory Descriptions

• **Connector**
An optional M12 connector is available if required. The connector is fully reusable and does not require any additional pins or soldering.

• **Cable for operational use**
Cable can supply cables on various fixed lengths with pre-moulded M12 connector fitted.

• **Cable for setup/configuration**
The cable can be used to connect the MaxiMet to a USB port on a computer. It can be used for setup and configuration of the MaxiMet and can be used to update the firmware of the MaxiMet. The cable is 5m long and supplied with an M12 connector on one end and a USB connector on the other end.

gillinstruments.com



OTHER MAXIMET MODELS

| | Wind | Temperature, humidity, pressure | Rain | Solar | Compass, GPS | Low power heating |
|---------------|------|---------------------------------|--------------------------------|-------|------------------|-------------------|
| GMX200 | Y | | | | Y, option | |
| GMX240 | Y | | Integrated optical rain sensor | | Y, option | |
| GMX300 | | Y | | | | |
| GMX301 | | Y | | Y | | |
| GMX400 | | Y | Integrated optical rain sensor | | | |
| GMX500 | Y | Y | | | Y, option | Option |
| GMX501 | Y | Y | | Y | Y, option | Option |
| GMX550 | Y | Y | Tipping bucket connector | | Y, option | Option |
| GMX551 | Y | Y | Tipping bucket connector | Y | Y, option | Option |
| GMX560 | Y | Y | | | Y 6-axis, option | Option |
| GMX600 | Y | Y | Integrated optical rain sensor | | Y, option | Option |

For more information about MaxiMet®, please contact Gill Instruments.

Designed and manufactured in the UK by Gill Instruments Limited.