

## GMX260 Compact Weather Station

High quality, easy-to-use, integrated weather station for marine applications

MaxiMet compact weather stations are designed to be simple to install, use and maintain. In addition to providing measured parameters, the products derive additional parameters and data is output as a single string and available on a range of communication protocols.

MaxiMet weather stations benefit from the same technology used in Gill's scientific product range, ensuring measurement accuracy, low maintenance and continuous status reporting.

The MaxiMet family includes a range of sensor configurations allowing customers to select the model most appropriate to their needs.

### Typical applications for MaxiMet Marine GMX260

- Marine environments including marine buoys and unmanned surface vessels.
- Helidecks.
- Ports and harbours.
- Offshore wind farms.
- Low power/solar powered deployments and IoT applications.

### MaxiMet Marine key features

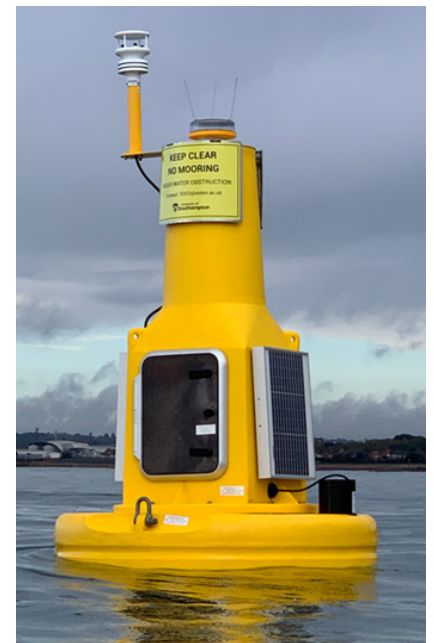
- MaxiMet Marine GMX260 provides 2 measured parameters:  
**Wind speed & direction, optional GPS function.**
- IP68 and IP66 environmental protection.
- 6-axis compass.
- High quality, accurate, solid-state sensors.
- Compact design with robust construction.
- Multiple additional derived parameters such as gust (WMO compliant), average wind speed and corrected direction.
- Optional integrated GPS capability available to provide location, GPS timestamp and calculation of true wind if the platform is moving.
- Commonly available connector suitable for corrosive environment.

### Benefits

- Based on the GMX200, highly deployed in harsh marine applications, and now with additional environmental protection including temporary submersion.
- 6-axis compass compensates for tilt and provides pitch & roll data.
- No moving parts increases reliability and reduces maintenance requirements.
- Multiple output protocols offer a range of integration options.
- Easy to set up, integrate and install.
- Suitable for use with battery or solar systems in low power mode.



MaxiMet Marine GMX260 combines IP68 environmental protection with high quality sensors for marine environments



(photo: Xylem DB1250 buoy)  
MaxiMet Marine's IP68 rating enhances performance in harsh weather conditions encountered by buoys and unmanned surface vessels

## GMX260 Compact Weather Station

High quality, easy-to-use, integrated weather station for marine applications

WIND SPEED	
Range	0 - 60 m/s
Accuracy	0-10 m/s 0.3 m/s RMSE 10-40 m/s 3% RMSE 40-60 m/s 5% RMSE
Resolution	0.01 m/s
Starting threshold	0.01 m/s
Units of measurement	m/s, km/h, mph, kts, ft/min

WIND DIRECTION	
Range	0-360°
Accuracy	0.5 m/s - 40 m/s ± 3° 40-60 m/s ± 5°
Resolution	1°
Units of measurement	degrees

WARRANTY	
Warranty	24 months

OUTPUTS	
Digital comms modes	RS232, RS422 RS485 SDI-12
Protocols	ASCII, SDI-12 v1.3, NMEA 0183 MODBUS (RTU and ASCII)
Data outputs rates	1/s, 1/min, 1/hour, or polled

POWER SUPPLY	
Input voltage	5-30 VDC
Average current consumption @ 12 VDC	28 mA continuous mode (std unit) +9 mA with GPS option 1.3 mA eco-power mode (no GPS, 1/ hour)

MECHANICAL	
Construction	UV stabilized thermoplastic
Fittings	Fit to 44.45 mm (1.75 in) pole or mast
Weight	0.5 kg
Connector type	M12 8-way

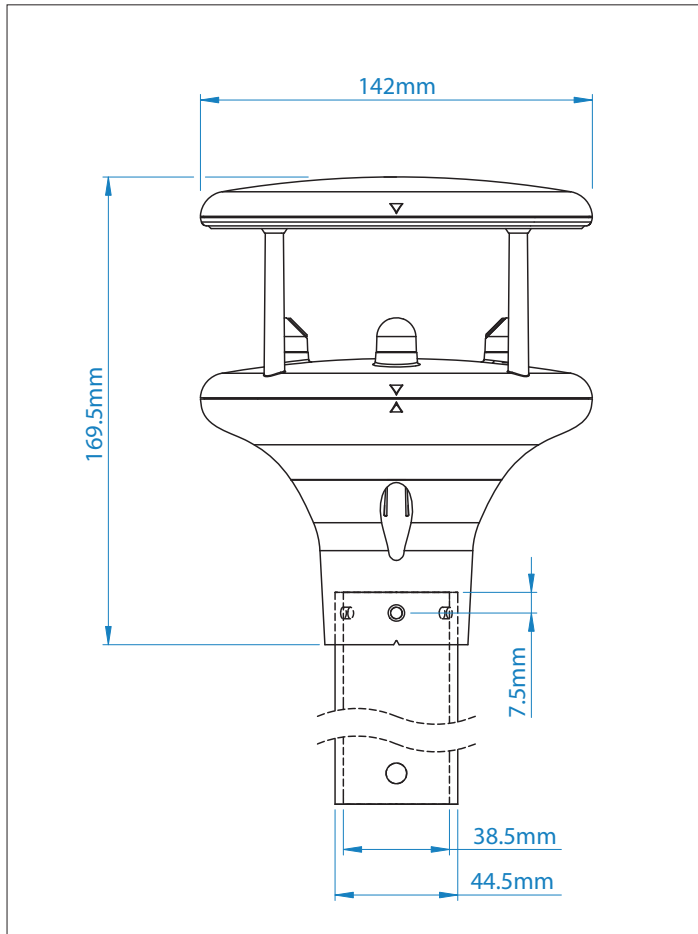
ENVIRONMENTAL	
Protection class	IP66 & IP68
Operating temp	-35°C to +70°C
Storage temp	-40°C to +70°C

STANDARD EQUIPMENT (supplied with product)	
MaxiMet product	
Mating connector	
MetSet software*, to set-up and configure MaxiMet (comms mode, measurement units, reporting intervals, derived parameters, etc.)	
MetView software*, to view reported parameters	
MaxiMet Marine User Manual*	
* downloadable from Gill Instruments website	

OPTIONS	
GPS	Available as an option. Enables reporting of location, height, real time clock, true wind (for vehicle mounting applications)

## GMX260 Compact Weather Station

High quality, easy-to-use, integrated weather station for marine applications



### EXAMPLE DERIVED PARAMETERS FOR MAXIMET RANGE (model dependent)

A full list of derived parameters is available in the User Manual, downloadable from [gillinstruments.com](http://gillinstruments.com)

Average wind speed *	Sunrise
Average wind direction *	Solar noon
Corrected wind speed	Twilight
Corrected wind direction	Sunset
Gust wind speed & direction *	Position of sun
Dew point	Angle of tilt
Wind chill	Pressure at sea level
Absolute humidity	Heat index

\* WMO compliant

### ACCESSORIES

A list of the accessories available to support MaxiMet is provided on the MaxiMet Accessories Datasheet, which can be downloaded from [gillinstruments.com](http://gillinstruments.com)

**MaxiMet® Marine Accessories Datasheet**  
**GMX560 Compact Weather Station**  
Download: Integrated main parameter weather station for marine applications

MaxiMet Marine weather station is supported by a range of accessories. These accessories can be used to correct small and marine weather station. The accessories have been designed or selected to ensure the long-term performance of the weather station.

Accessories	Description
AM12	AM12 connector (see also AM12 connector)
AM12-1	AM12 connector (see also AM12 connector)
AM12-2	AM12 connector (see also AM12 connector)
AM12-3	AM12 connector (see also AM12 connector)
AM12-4	AM12 connector (see also AM12 connector)
AM12-5	AM12 connector (see also AM12 connector)
AM12-6	AM12 connector (see also AM12 connector)
AM12-7	AM12 connector (see also AM12 connector)
AM12-8	AM12 connector (see also AM12 connector)
AM12-9	AM12 connector (see also AM12 connector)
AM12-10	AM12 connector (see also AM12 connector)
AM12-11	AM12 connector (see also AM12 connector)
AM12-12	AM12 connector (see also AM12 connector)
AM12-13	AM12 connector (see also AM12 connector)
AM12-14	AM12 connector (see also AM12 connector)
AM12-15	AM12 connector (see also AM12 connector)
AM12-16	AM12 connector (see also AM12 connector)
AM12-17	AM12 connector (see also AM12 connector)
AM12-18	AM12 connector (see also AM12 connector)
AM12-19	AM12 connector (see also AM12 connector)
AM12-20	AM12 connector (see also AM12 connector)
AM12-21	AM12 connector (see also AM12 connector)
AM12-22	AM12 connector (see also AM12 connector)
AM12-23	AM12 connector (see also AM12 connector)
AM12-24	AM12 connector (see also AM12 connector)
AM12-25	AM12 connector (see also AM12 connector)
AM12-26	AM12 connector (see also AM12 connector)
AM12-27	AM12 connector (see also AM12 connector)
AM12-28	AM12 connector (see also AM12 connector)
AM12-29	AM12 connector (see also AM12 connector)
AM12-30	AM12 connector (see also AM12 connector)
AM12-31	AM12 connector (see also AM12 connector)
AM12-32	AM12 connector (see also AM12 connector)
AM12-33	AM12 connector (see also AM12 connector)
AM12-34	AM12 connector (see also AM12 connector)
AM12-35	AM12 connector (see also AM12 connector)
AM12-36	AM12 connector (see also AM12 connector)
AM12-37	AM12 connector (see also AM12 connector)
AM12-38	AM12 connector (see also AM12 connector)
AM12-39	AM12 connector (see also AM12 connector)
AM12-40	AM12 connector (see also AM12 connector)
AM12-41	AM12 connector (see also AM12 connector)
AM12-42	AM12 connector (see also AM12 connector)
AM12-43	AM12 connector (see also AM12 connector)
AM12-44	AM12 connector (see also AM12 connector)
AM12-45	AM12 connector (see also AM12 connector)
AM12-46	AM12 connector (see also AM12 connector)
AM12-47	AM12 connector (see also AM12 connector)
AM12-48	AM12 connector (see also AM12 connector)
AM12-49	AM12 connector (see also AM12 connector)
AM12-50	AM12 connector (see also AM12 connector)
AM12-51	AM12 connector (see also AM12 connector)
AM12-52	AM12 connector (see also AM12 connector)
AM12-53	AM12 connector (see also AM12 connector)
AM12-54	AM12 connector (see also AM12 connector)
AM12-55	AM12 connector (see also AM12 connector)
AM12-56	AM12 connector (see also AM12 connector)
AM12-57	AM12 connector (see also AM12 connector)
AM12-58	AM12 connector (see also AM12 connector)
AM12-59	AM12 connector (see also AM12 connector)
AM12-60	AM12 connector (see also AM12 connector)
AM12-61	AM12 connector (see also AM12 connector)
AM12-62	AM12 connector (see also AM12 connector)
AM12-63	AM12 connector (see also AM12 connector)
AM12-64	AM12 connector (see also AM12 connector)
AM12-65	AM12 connector (see also AM12 connector)
AM12-66	AM12 connector (see also AM12 connector)
AM12-67	AM12 connector (see also AM12 connector)
AM12-68	AM12 connector (see also AM12 connector)
AM12-69	AM12 connector (see also AM12 connector)
AM12-70	AM12 connector (see also AM12 connector)
AM12-71	AM12 connector (see also AM12 connector)
AM12-72	AM12 connector (see also AM12 connector)
AM12-73	AM12 connector (see also AM12 connector)
AM12-74	AM12 connector (see also AM12 connector)
AM12-75	AM12 connector (see also AM12 connector)
AM12-76	AM12 connector (see also AM12 connector)
AM12-77	AM12 connector (see also AM12 connector)
AM12-78	AM12 connector (see also AM12 connector)
AM12-79	AM12 connector (see also AM12 connector)
AM12-80	AM12 connector (see also AM12 connector)
AM12-81	AM12 connector (see also AM12 connector)
AM12-82	AM12 connector (see also AM12 connector)
AM12-83	AM12 connector (see also AM12 connector)
AM12-84	AM12 connector (see also AM12 connector)
AM12-85	AM12 connector (see also AM12 connector)
AM12-86	AM12 connector (see also AM12 connector)
AM12-87	AM12 connector (see also AM12 connector)
AM12-88	AM12 connector (see also AM12 connector)
AM12-89	AM12 connector (see also AM12 connector)
AM12-90	AM12 connector (see also AM12 connector)
AM12-91	AM12 connector (see also AM12 connector)
AM12-92	AM12 connector (see also AM12 connector)
AM12-93	AM12 connector (see also AM12 connector)
AM12-94	AM12 connector (see also AM12 connector)
AM12-95	AM12 connector (see also AM12 connector)
AM12-96	AM12 connector (see also AM12 connector)
AM12-97	AM12 connector (see also AM12 connector)
AM12-98	AM12 connector (see also AM12 connector)
AM12-99	AM12 connector (see also AM12 connector)
AM12-100	AM12 connector (see also AM12 connector)

**Accessory Descriptions**

- Connector**  
An equipment AM12 connector is available if required. This connector is held in place and does not require any additional pins or soldering.
- Cable for operational use**  
Cable can be used in various fixed lengths with pre-moulded AM12 connectors fitted.
- Cable for setup configuration**  
The cable can be used to connect the station to a USB port on a computer. Using MaxiMet, the output of the MaxiMet unit can be supplied to a particular equipment. The cable is 1m long and supplied with an AM12 connector on one end and a USB connector on the other end.

[gillinstruments.com](http://gillinstruments.com)

OTHER MAXIMET MODELS						
	Wind	Temperature, humidity, pressure	Rain	Solar	Compass, GPS	Low power heating
GMX200	Y				Y, option	
GMX240	Y		Integrated optical rain sensor		Y, option	
GMX300		Y				
GMX301		Y		Y		
GMX400		Y	Integrated optical rain sensor			
GMX500	Y	Y			Y, option	Option
GMX501	Y	Y		Y	Y, option	Option
GMX550	Y	Y	Tipping bucket connector		Y, option	Option
GMX551	Y	Y	Tipping bucket connector	Y	Y, option	Option
GMX560	Y	Y			Y 6-axis, option	Option
GMX600	Y	Y	Integrated optical rain sensor		Y, option	Option

For more information about MaxiMet®, please contact Gill Instruments.  
**Designed and manufactured in the UK by Gill Instruments Limited.**

[gillinstruments.com](http://gillinstruments.com)

1957-032 Issue 2  
 © 2024 Gill Instruments Limited

Via Alberico Albricci 9/11 - 00135 Roma  
 Tel: +39 06 36301456 / 06 3293698  
 Email: [info@lombardemarozzini.com](mailto:info@lombardemarozzini.com)  
[www.lombardemarozzini.com](http://www.lombardemarozzini.com)